

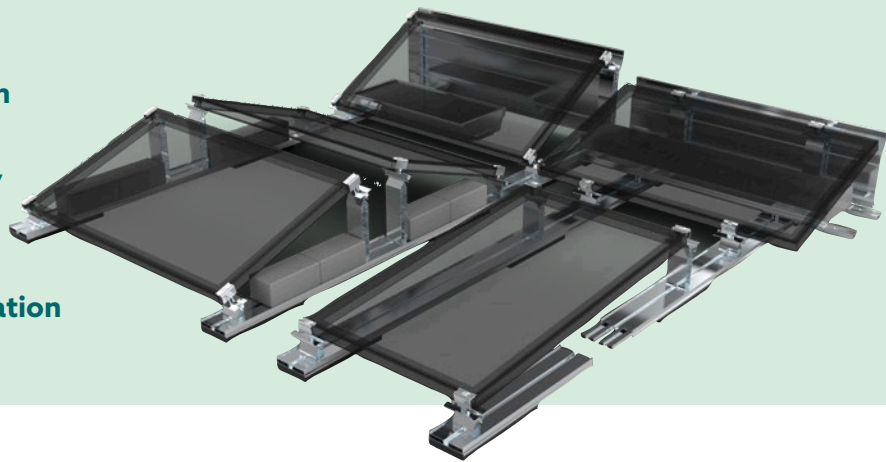
FIXGRID PRO

FIXGRID PRO-100

PRODUCT SHEET

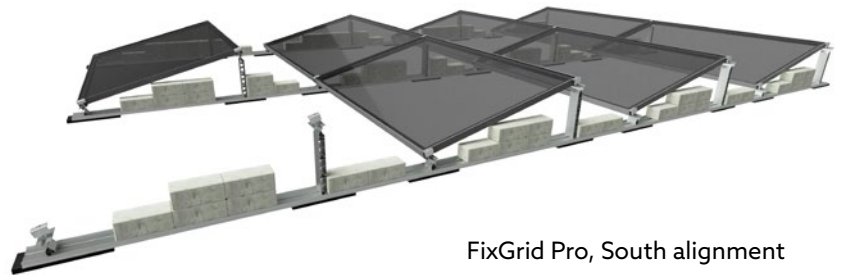


- + Modular system for south and east-west orientation
- + Ballast reduction through wind tunnel expertise and aerodynamic optimization
- + Fewer components with more flexibility
- + Module pitch in 5°/10°/ 15° with variable module clamping and configuration

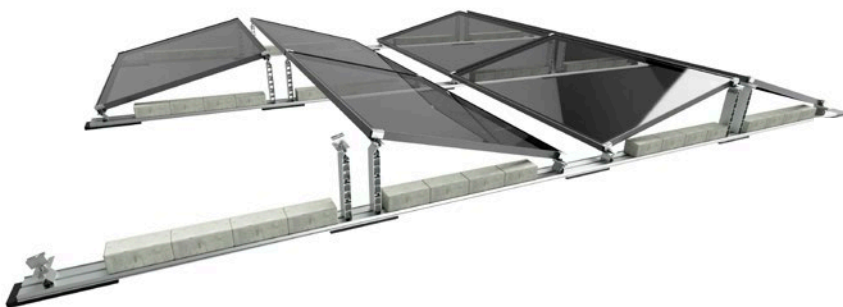


FLEXIBLE SYSTEM FOR DIFFERENT ALIGNMENTS

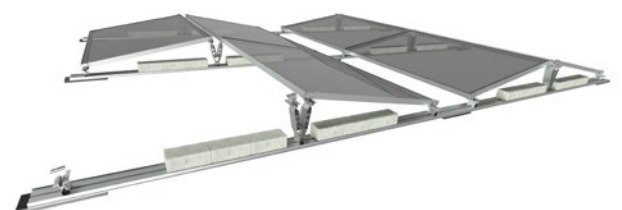
With identical components and without additional rails, both South alignments (FixGrid Pro) and east-west alignments on both sides (FixGrid Pro-100) can be implemented. This saves storage costs and simplifies the project planning of the system.



FixGrid Pro, South alignment



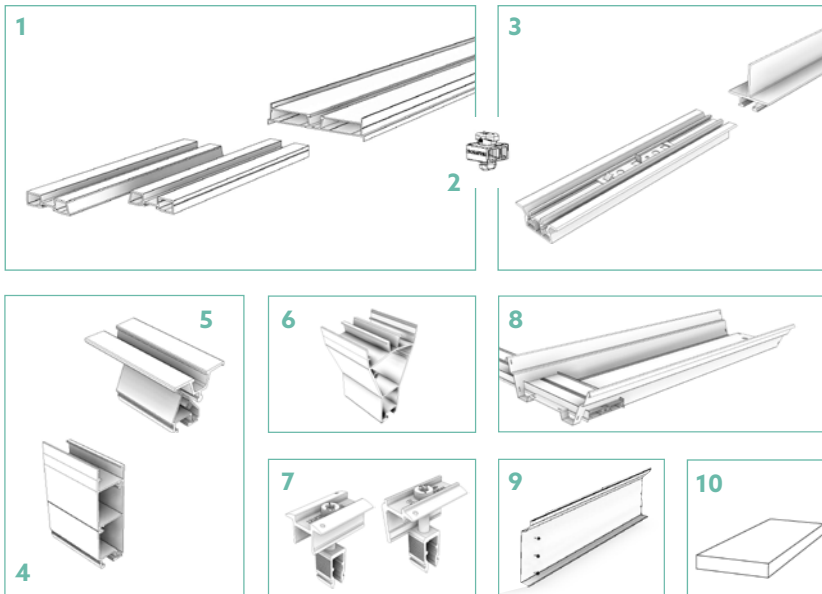
FixGrid Pro-100, East-West alignment



FixGrid Pro-100 with Screw-in center base

FEW COMPONENTS ENABLE NUMEROUS VARIANTS

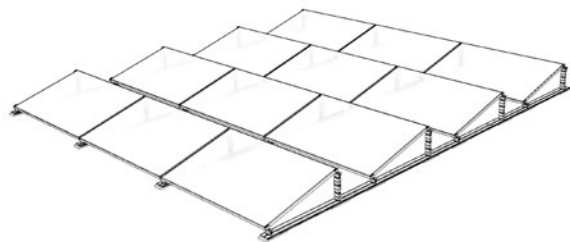
The system consists of only a few components that, when combined, cover a wide range of use cases:



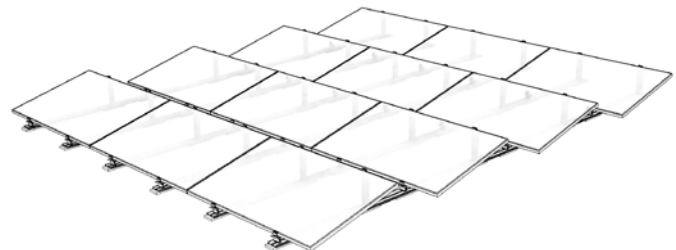
- 1 Floor profile with internal connectors
- 2 RapidCon90 cross connector *(if required)*
- 3 Ballast rail with connectors *(if required)*
- 4 Elevation element
- 5 Module support
- 6 Screw-in center base *(can be used for FixGrid Pro-100)*
- 7 Module clamps
- 8 Ballast trough *(if required)*
- 9 Windsafe *(if required)*
- 10 Building protection mat

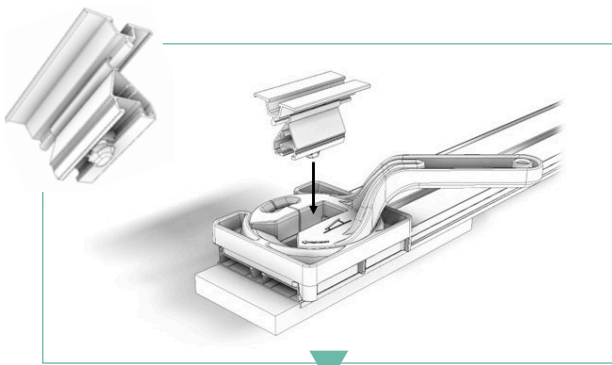
With this, a wide variety of configurations can be implemented with additional consideration of the required module clamping (e.g., with increased snow loads):

Landscape
(5°/10°/15°)



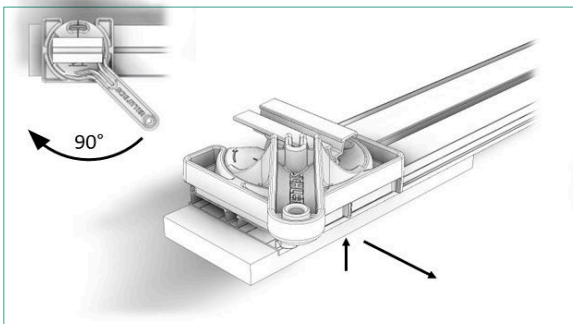
Landscape PLUS
Clamping at the quarter point
(5°/10°/15°)





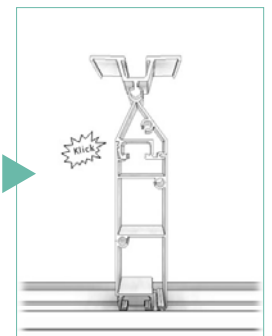
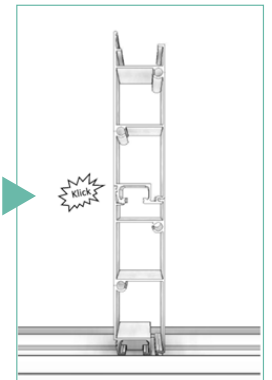
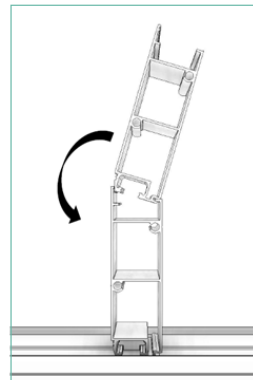
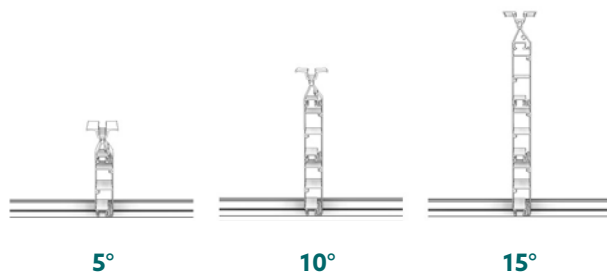
SMOOTH WORK WITH THE SCREW-IN AID

The screw-in aid and the screw-in connector enable a time-saving method of working. In the case of module support and elevation element, the screw-in connector is pressed; this saves pre-mounting of the element. Over-tightening or incorrect alignment of the supports is not possible with the screw-in aid.



VARIABLE MODULE INCLINATION BY MEANS OF ELEVATION ELEMENTS

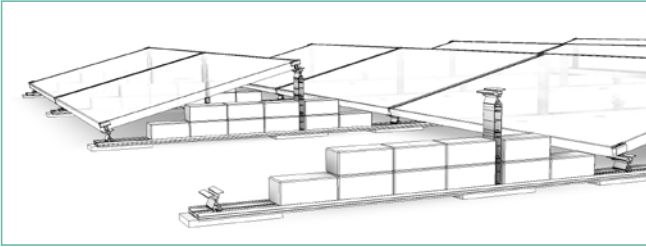
The FixGrid Pro allows gradual adjustment of the angle of inclination by means of elevation elements. The elements are mounted without tools by clicking them into the already mounted basic element.



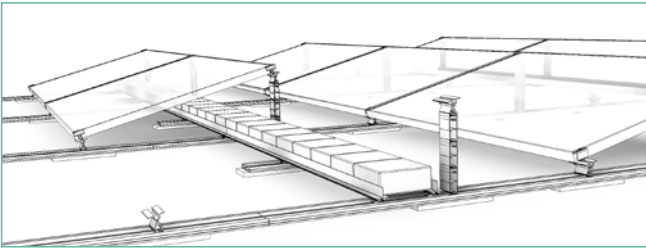
The elevation is completed by the module support, which can also be clicked into place. This allows a clean support surface of all module dimensions thanks to its flexible joint.

PROJECT-SPECIFIC BALLASTING OPTIONS

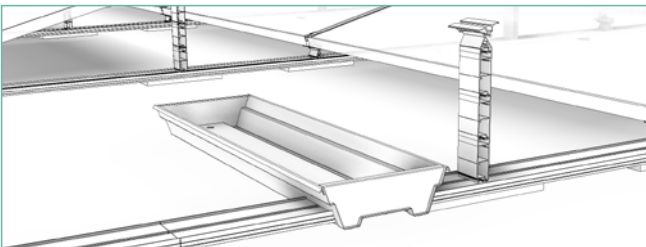
The optimized aerodynamics of the system minimize the amount of ballast required. The necessary ballasting results from the individual project planning with the Schletter Configurator. This can vary greatly with flat roof systems. The ballasting options of the FixGrid Pro are thus just as variable. As standard, the ballast is distributed on the existing base rails; ballast rails and gravel troughs can be used for extended requirements.



Variant A:
Ballasting on the base rail



Variant B:
Ballasting on additional ballast rails



Variant C:
Ballasting with additional gravel troughs

TECHNICAL DETAILS

Field of application	Flat roof system ballasted (without roof penetration)
Material	<ul style="list-style-type: none"> • System components: Alu EN AW 6063 • Building protection mat: rubber granulate with aluminum lamination • Connecting elements: stainless steel 1.4301 or higher quality
Planning aid	Configuration and static dimensioning via the Schletter Configurator
Statics	<p>Static calculation based on the recognized rules of technology. The stability verification for the assembly system is carried out on the basis of the Eurocode in conjunction with general building inspectorate approvals. The load assumptions comply with DIN EN 1991-1 and the regulations of the national annex. Verification of roofing and building is not included. Notes in the verification must be observed.</p>
Fastening	Mechanical slide protection is always recommended for pitched roofs.
Warranty	25 years in accordance with our warranty conditions
Supplementary documents	<p>Mounting instructions for FixGrid Pro / FixGrid Pro-100 Component overview – ballast-optimized flat roof systems</p>

ITEM OVERVIEW

165005-001	Pro single-pivot module support (mounting on floor profile)	PU: 25
165005-004	Pro module support (mounting on elevation element)	PU: 25
165005-002	Pro turn-in elevation element (mounting on floor profile)	PU: 25
165005-003	Pro elevation element (on Pro turn-in elevation element)	PU: 25
165005-100	Screw-in center base	PU: 25
165001-xxxxx	Pro floor profile (various lengths)	PU: 1
169004-xxx	Building protection mat (various designs)	PU: 25
169008-006	FixGrid Pro screw-in tool	PU: 2
163000-400	FixGrid Pro Kit East/West	PU: 1

► **NOTE**
For a detailed article overview, please refer to the component overview.

► **NOTE**
The Screw-in center base for east-west alignment is suitable for a inclination of 10° in combination with 2 pcs. Pro elevation elements.



► **NOTE**
The FixGrid Pro-100 for east-west alignment is also available as a pre-assembled kit.

SUPPLEMENTARY ITEMS (to be ordered separately))

129200-001	Pro floor profile connector	PU: 70
1692xx-xxx	Pro Windsafe (different versions)	PU: 50
169020-100	Pro ballast trough	PU: 1
165002-xxxxx	Pro ballast + composite rail (various lengths)	PU: 1