

CLICKFIT[®]

COMPLETE RAIL-BASED RACKING SYSTEM

ClickFit is one of the fastest installing rail-based systems in the industry. Thanks to its Click-In rail assembly, the rails can be connected to any of EcoFasten's composition shingle, tile, and standing seam metal roof mounts in seconds without the need for fasteners or tools. The ClickFit system is made of robust materials and coated steel, to ensure corrosion-resistance and longevity. ClickFit conforms to UL 2703, UL 2703A and UL 3741 and has been tested in extreme weather conditions including wind, fire, and snow.

FEATURES & BENEFITS

- Pre-installed rail fastening bolt
- Fully integrated bonding
- Click-On Mid & End Clamps
- Florida Product Approved for composition shingle roofs
- Compatible with a variety of EcoFasten roof attachments

FAST INSTALLING SYSTEM FEATURING CLICK-IN RAIL ASSEMBLY



**Composition Shingle,
Tile & Standing
Seam Metal**



Rail-Based



**Structural-Attach
Direct-Attach**





INTERNAL SPLICE

Tool-free bonded Internal Splice installs in seconds.

EBOS ACCESSORIES

Secure Module Level Power Electronics to the top of the rail using the ClickFit MLPE Mount. PV wires can be managed using the ClickFit Wire Clip and the ClickFit Wire Management Clamp.

[Additional eBoS accessories are available.](#)



MID CLAMP

Click-on Mid Clamp features integrated bonding pins and fits module frames from 30-40mm in height.



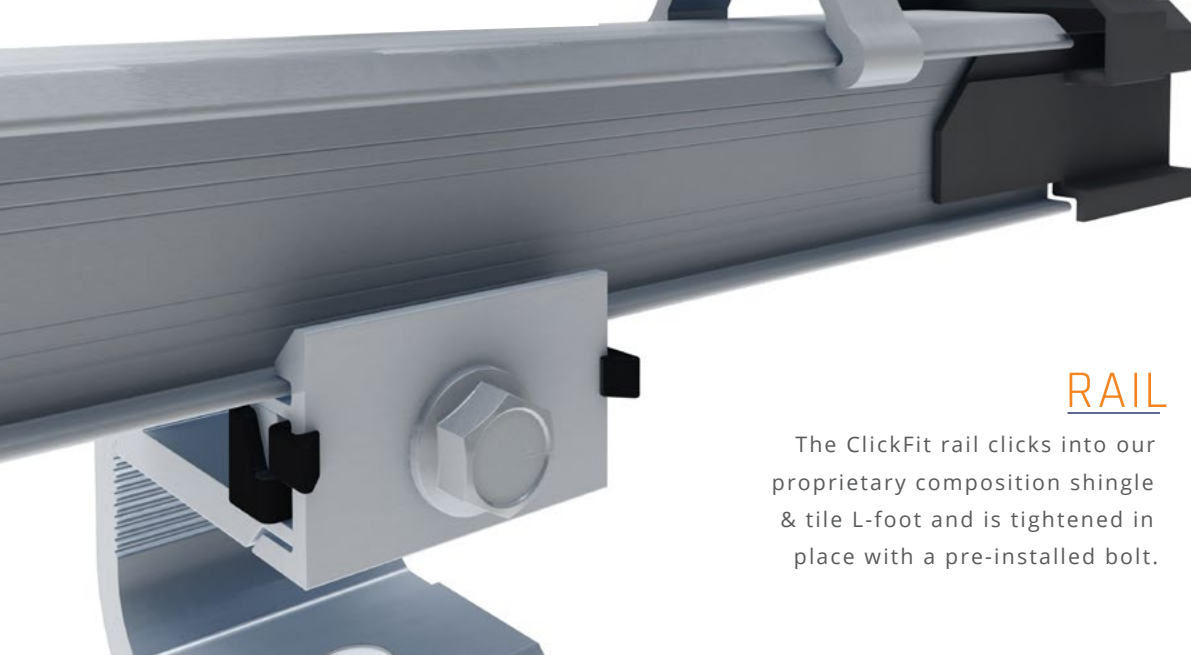
END CLAMP

One Click-on End Clamp fits modules from 30-40mm in height.



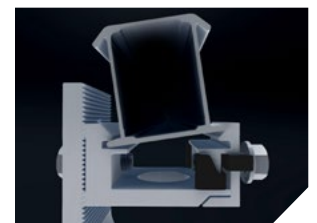
END CAP

Slide-on End Cap provide an aesthetic finish and allow for End Clamps to be accurately positioned on the rail in seconds.



RAIL

The ClickFit rail clicks into our proprietary composition shingle & tile L-foot and is tightened in place with a pre-installed bolt.

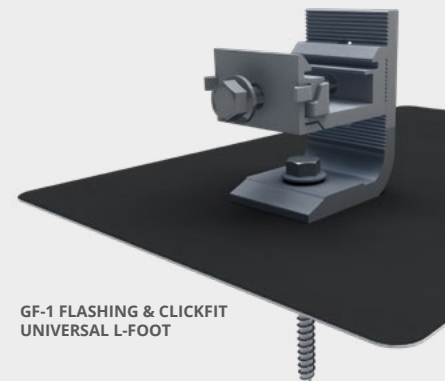


COMPOSITION SHINGLE ROOFS



L-FOOT WITH GF-1

Combine the versatile ClickFit Universal L-Foot with the watertight GF-1 flashing for a fast installation on composition shingle roofs.



GF-1 FLASHING & CLICKFIT UNIVERSAL L-FOOT

TILE & STANDING SEAM METAL ROOFS

TILE HOOK

Use the adjustable ClickFit Universal Tile Hook for attaching the ClickFit system to tile roofs. Works with Flat, S, and W-shaped tile profiles.



CLICKFIT UNIVERSAL TILE HOOK

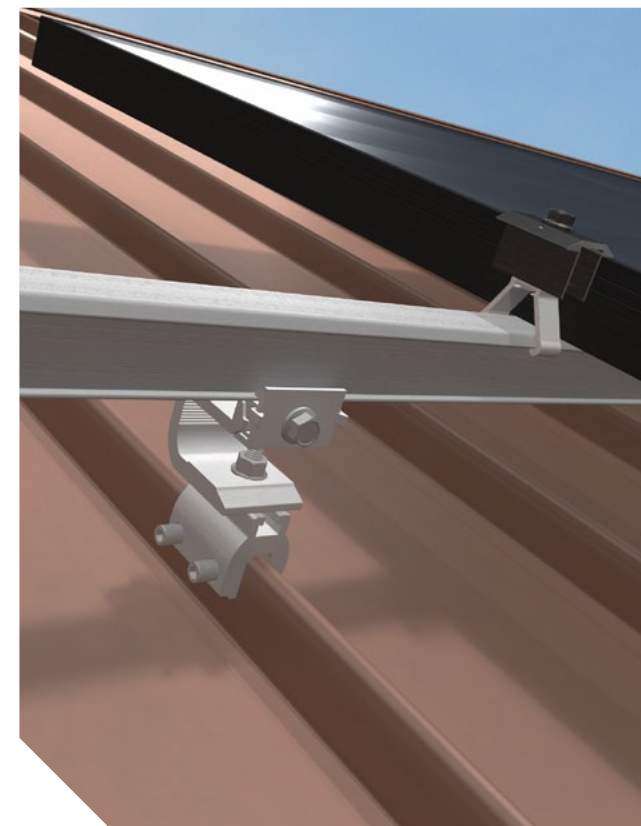
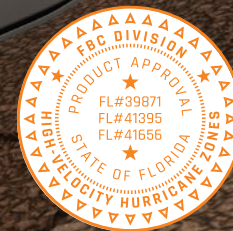


SMART FOOT

Smart Foot can be attached directly to composition shingle roofs without a metal flashing. The integrated flashing utilizes our proprietary **UltraGrip Technology™**, creating a watertight seal.



CLICKFIT SMART FOOT



SIMPLEBLOCK-U

Combine the ClickFit Universal L-Foot with SimpleBlock®-U for a fast installation on standing seam metal roofs.



SIMPLEBLOCK-U



ECOFASTEN

EcoFasten has established a reputation for being one of the industry's leading innovators by providing expert solutions for mounting solar PV on any type of roof. Our broad portfolio of solutions stem from the needs of, and direct inputs by solar PV installers. We take pride in providing the right solution for every application. We educate our customers, so they purchase the best, most cost-effective solutions to fit their needs, and we complement that with on-site installation training to ensure 100% satisfaction. We are honest with ourselves, our customers and our employees, fostering a culture of idea-sharing, innovation and creativity.



[VIEW THE COMPLETE PARTS LIST](#)