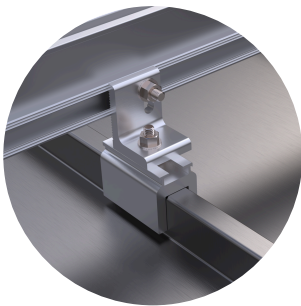


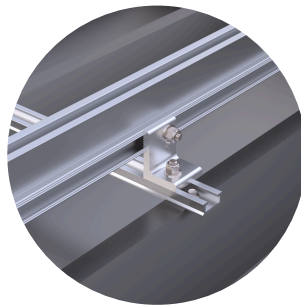
Pitched Roof Flush Mount Solution

Flush mount made easy. Regardless of the building support structure and spacing, the roof type, your geography; we have a flush mount solution for your next project.

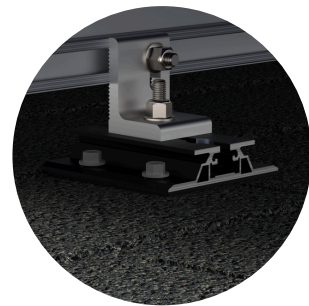
Attachment Options



Standing
Seam



Trapezoidal
Roof

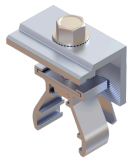


Shingle
Roof

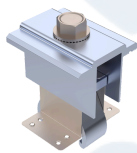
Features and Benefits

- **Rail Based**
 - Optimized attachment spacing
 - Clean and accessible wire management
 - Doesn't rely on the module for load sharing increasing microcracks
- **Clamp in Module Green Zones**
 - Maintain module warranty
 - Allows for highest load rating for snow load or high wind regions
- **Flexible Design**
 - Any row spacing to maximize panel density
- **No Wind Screen Required**
 - Installation efficiencies
 - Cooling effects on modules lead to increased performance
 - Reduce snow build up on following module
- **Service From Start to Finish**
 - Project management and support
 - Project specific engineering packages
 - Construction package walkthroughs
 - Experienced and knowledgeable support team

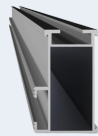
Components



End Clamp



Mid Clamp



Top Rail



Top Rail Splice with Integrated Bonding



Angle Bracket Assembly

Technical Specs

Panel Orientation: Portrait or Landscape

Row Spacing: Customizable

Roof Type: All roof types

Roof Attachment: Any

Material: Aluminum & stainless steel

Building Height: Any

Wind Speed: Any

Certifications: UL 2703, UL 3741

Warranty: Standard 10 with 15-20 available upon request